

PRODUCT TECHNICAL SHEET	
Collection :	DOCKS
Ref. :	4080.11.74-XX

Thermostatique à encastrer
Inbouw thermostat
Concealed thermostatic

Picture

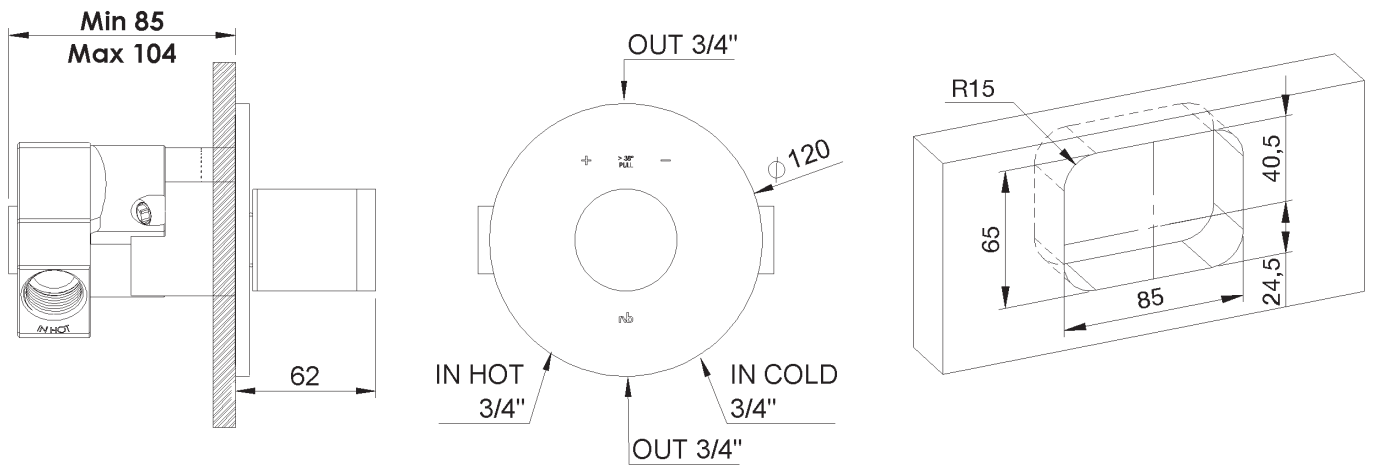
Product details



Flow at 3 bar : 32 l/min

T° mechanism : Thermostatic wax cartridge

Technical drawing



RA1.V01